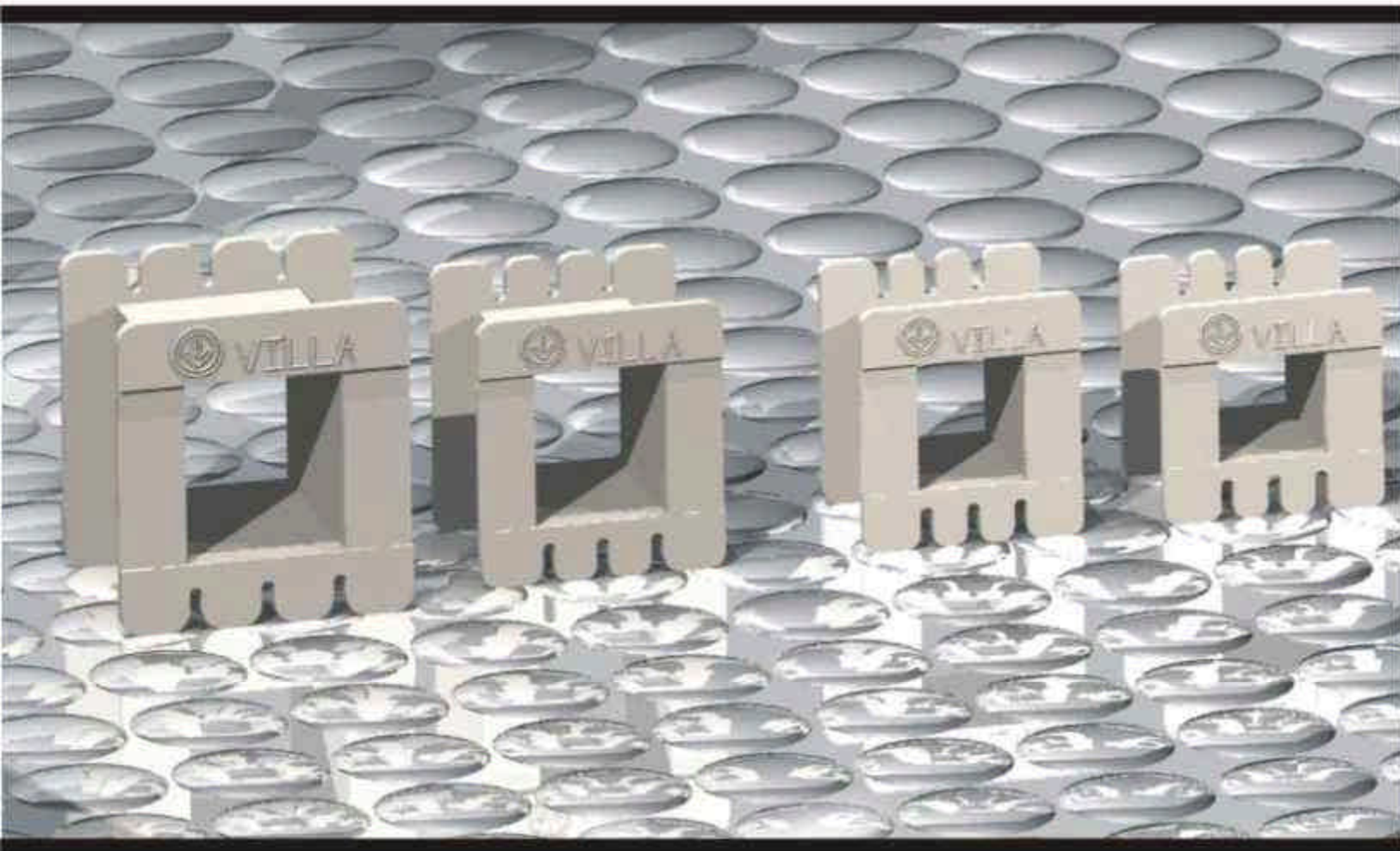




**Villa
Industrias, S.A. de C.V.**

CARRETES PARA NUCLEO DE TRANSFORMADORES



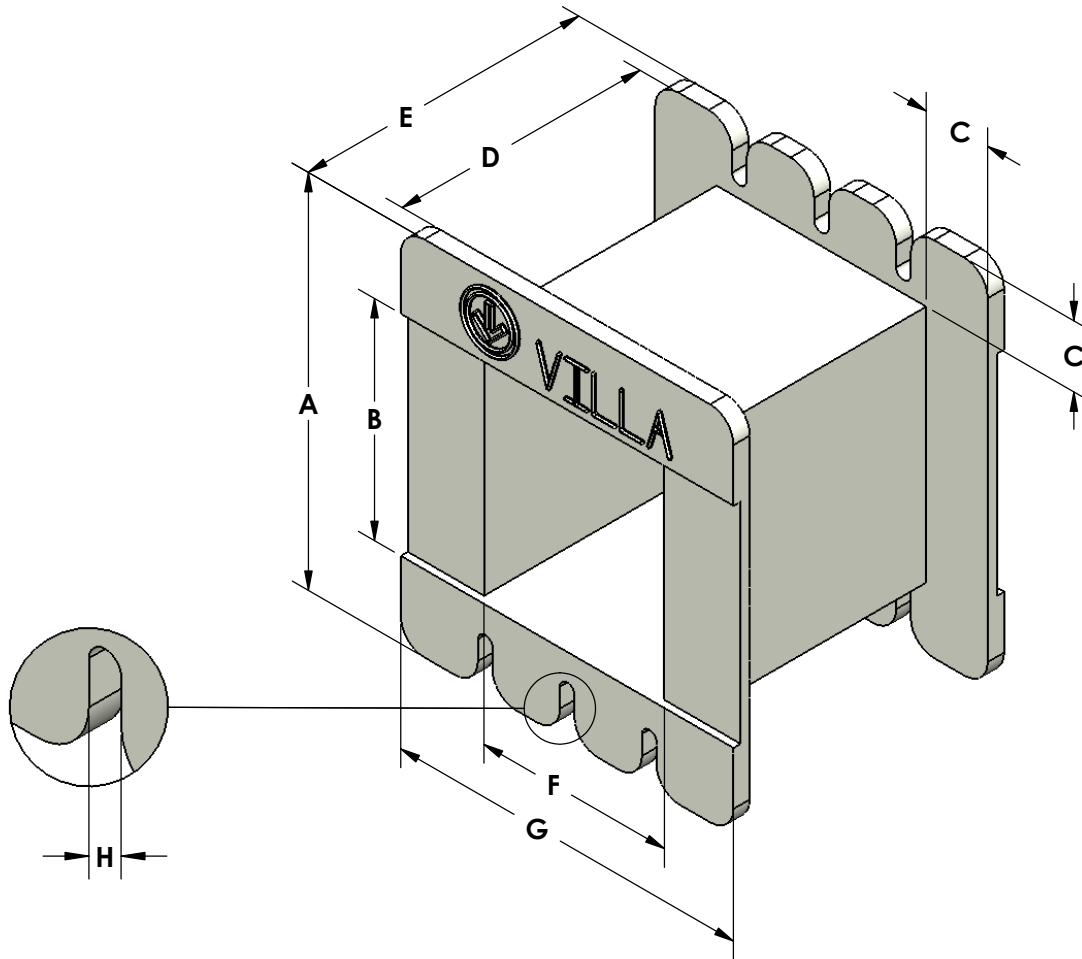
CATALOGO 2005

“SOLO PRODUCTOS DE CALIDAD”

Oficinas generales y planta

Av. Hda. Sta. Ma. Regla No. 28
San Lucas Xólox, Tecámac. Edo. de México
C.P. 55757 Tel. +52 (592)9240137, 147 y 496
informacion@villaindustrias.com

www.villaindustrias.com



No PARTE	LAMINA	TAMAÑO	SUPERFICIE		ESPECIFICACIONES							
			in ²	mm ²	A	B	C	D	E	F	G	H
CA 75X75	EI-75	3/4 X 3/4	0.563	363	1.420	0.750	0.525	1.015	1.155	0.750	1.420	0.062
CA 75X87	EI-75	3/4 X 7/8	0.656	423.2	1.542	0.875	0.525	1.015	1.155	0.750	1.420	0.062
CA 87X87	EI-87	7/8 X 7/8	0.765	493.5	1.670	0.875	0.650	1.202	1.342	0.875	1.670	0.062
CA 87X100	EI-87	7/8 X 1	0.875	564.5	1.795	1.000	0.650	1.202	1.342	0.875	1.670	0.062
CA 100X100	EI-100	1 X 1	1.000	645.2	1.920	1.000	0.388	1.390	1.530	1.000	1.920	0.062
CA 100X112	EI-100	1 X 1 1/8	1.125	725.8	2.045	1.125	0.388	1.390	1.530	1.000	1.920	0.062
CA 112X112	EI-112	1 1/8 X 1 1/8	1.266	816.5	2.085	1.125	0.394	1.520	1.738	1.120	1.908	0.082
CA 112X125	EI-112	1 1/8 X 1 1/4	1.406	907.3	2.198	1.250	0.388	1.520	1.738	1.120	1.896	0.082
CA 125X125	EI-125	1 1/4 X 1 1/4	1.563	1008.1	2.360	1.250	0.469	1.735	1.953	1.250	2.188	0.082
CA 125X137	EI-125	1 1/4 X 1 3/8	1.718	1108.4	2.500	1.375	0.477	1.735	1.953	1.250	2.203	0.082
CA 137X137	EI-137	1 3/8 X 1 3/8	1.890	1219.4	2.690	1.375	0.572	1.890	2.108	1.370	2.513	0.082
CA 137X150	EI-137	1 3/8 X 1 1/2	2.063	1330.6	2.810	1.500	0.569	1.890	2.108	1.370	2.508	0.082
CA 150X150	EI-150	1 1/2 X 1 1/2	2.250	1451.6	2.850	1.500	0.589	2.080	2.298	1.500	2.678	0.082
CA 150X162	EI-150	1 1/2 X 1 5/8	2.437	1572.3	2.970	1.625	0.587	2.080	2.298	1.500	2.673	0.082